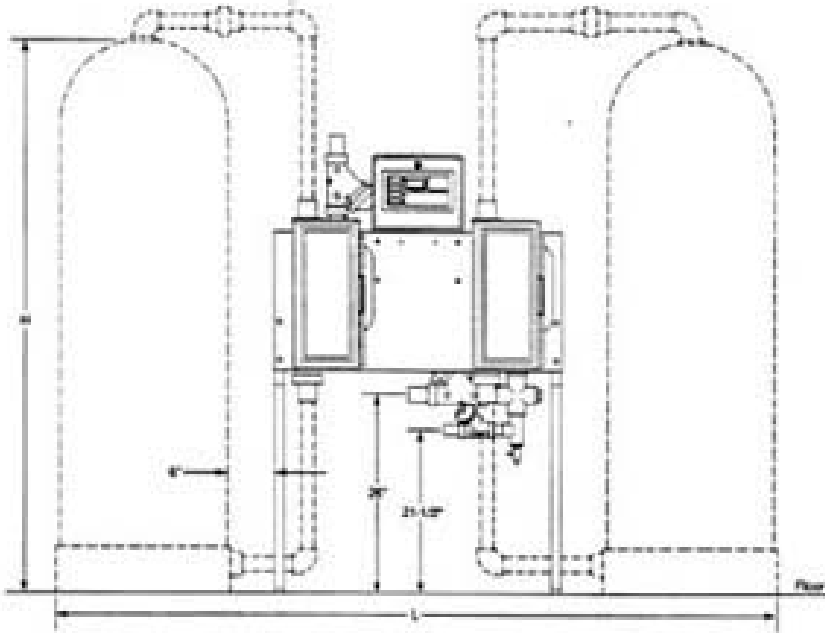




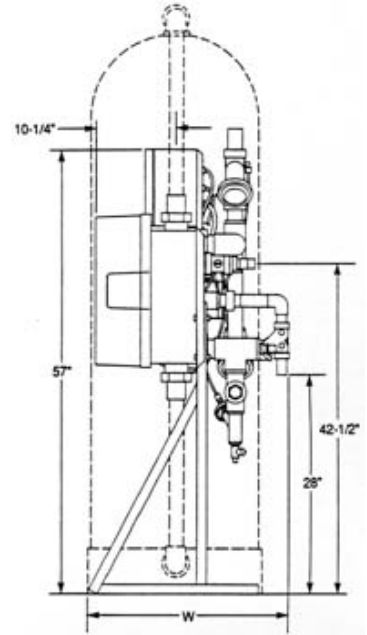
# Automatic Deionizer Systems AutoTrol 7840

For More Information Please Call  
1(800)CAL-WATER - (800) 225-9283

## AUTOTROL 7840 / 10-75 GPM



**Front Elevation**



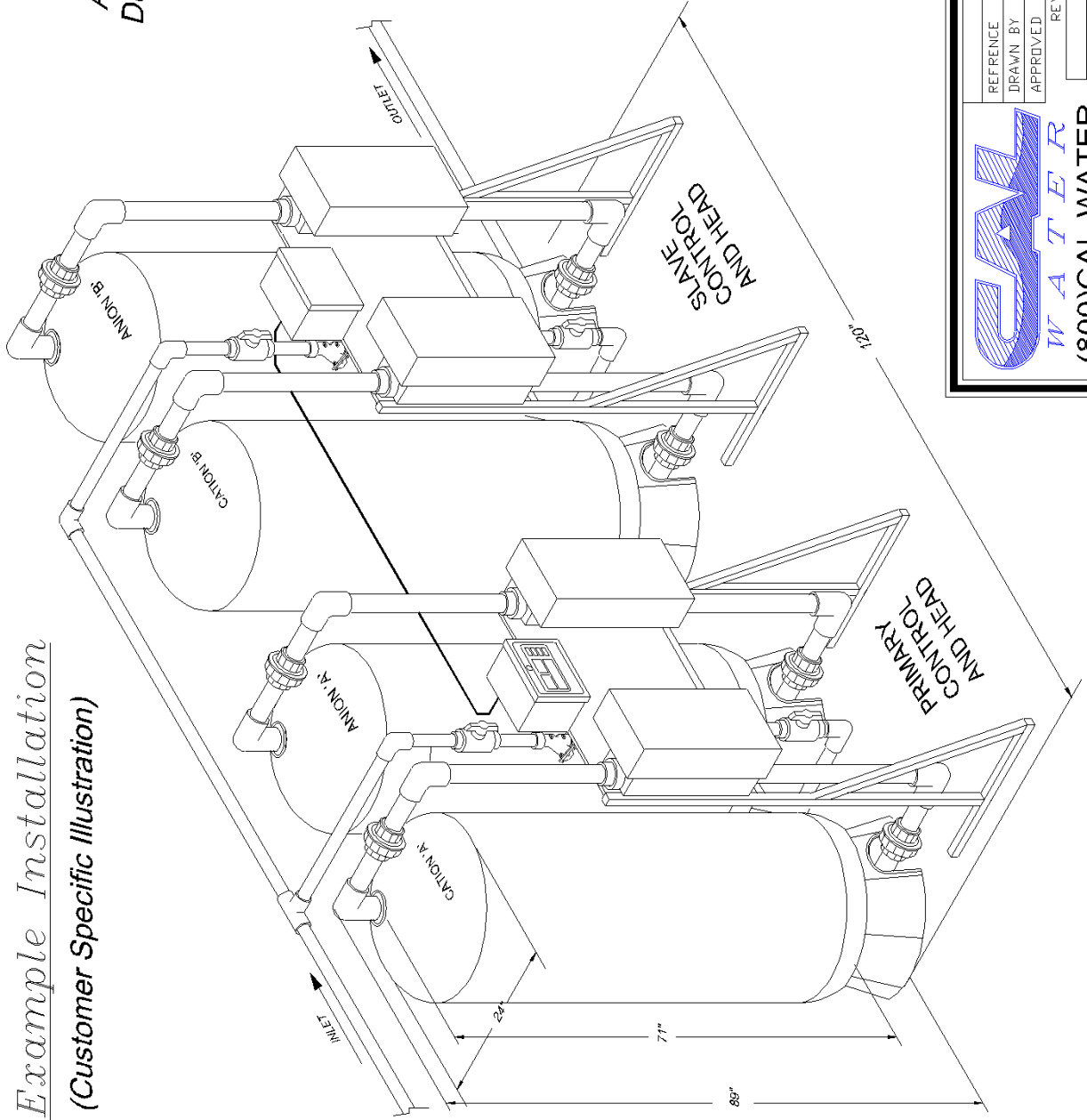
**Side View**

Continuous lines show the 7840 control panel and valve mount. Dotted lines show the tanks and plumbing provided by Cal Water. Although optional, Cal Water service technicians are available to install and startup every deionizer sold. Note: An extended warranty is included with the Cal Water installation and startup.

## DIMENSIONS AND CAPACITIES

| Model   | Tank Size (Inches) | Flow Rates gpm, (Lpm)    | (delta)P at Nominal Flow Rates psi (bar) | Exchange Capacity (Grains CaCO <sub>3</sub> ) | Resin Volume Each Tank (Ft <sup>3</sup> ) | Approximate Overall Dimensions H x L x W Inches (cm) |
|---------|--------------------|--------------------------|--|---|---|--|
| 7840-21 | 21 x 62            | 10 - 15, (37.9 - 56.8)   | 22 (1.5)                                 | 100,000                                       | 5   | 66-1/2 x 91-1/2 x 25<br>(168.9 x 232.4 x 63.5)       |
| 7840-24 | 24 x 71            | 20 - 30, (75.7 - 113.6)  | 25 (1.7)                                 | 200,000                                       | 10  | 75-1/2 x 97-1/2 x 28<br>(191.8 x 247.7 x 71.1)       |
| 7840-30 | 30 x 72            | 30 - 45, (113.6 - 170.3) | 28 (1.9)                                 | 300,000                                       | 15  | 81-1/2 x 109-1/2 x 31<br>(207.0 x 278.1 x 78.7)      |
| 7840-36 | 36 x 72            | 40 - 60, (151.4 - 227.1) | 32 (2.2)                                 | 400,000                                       | 20  | 81-1/2 x 121-1/2 x 40<br>(207.0 x 308.6 x 101.6)     |
| 7840-50 | 36 x 72            | 50 - 75, (189.3 - 283.9) | 36 (2.5)                                 | 500,000                                       | 25  | 81-1/2 x 121-1/2 x 40<br>(207.0 x 308.6 x 101.6)     |

*Example Installation*  
(Customer Specific Illustration)



**Autotrol 7840D**  
**Automatic Strong Base**  
**Duplex Deionizer System**

This example shows an alternating duplex system. This arrangement allows the customer to have deionized water 24/7.

**OPERATION:**

One set is on line at all times. The other set is regeneration and in standby.

When the first set exhausts, the second set is automatically valved on-line while the exhausted set is automatically regenerated and placed in standby.

|           |      |             |                            |                              |
|-----------|------|-------------|----------------------------|------------------------------|
| INIT      | DATE | CUSTOMER    | <b>Example Duplex 7840</b> |                              |
| REFERENCE | DNP  | DESCRIPTION | TANDEM 21" AUTO D.I.       |                              |
| DRAWN BY  | NGA  | REVISIONS   | SCALE:                     | NONE   DRAWING NO: 7840D.dwg |
| APPROVED  |      |             |                            |                              |
|           |      |             |                            |                              |
|           |      |             |                            |                              |
|           |      |             |                            |                              |

**CAL**  
**W A T E R**  
(800)CAL-WATER  
www.cal-water.com

12/02/02