



Industrial Water Purification
1(800) CAL-WATER

Automatic Deionizer Systems AutoTrol 7700 Series 2 to 12 GPM

Cal Water has selected the **AutoTrol 7700 Series Automatic Deionizers** for medium-sized deionization (DI) applications. These dependable units feature the same precision electronics and performance characteristics as their large-scale counterparts, all in a smaller, top-mounted package.

Applications cover the full spectrum of industrial, commercial, medical scientific and agricultural users with the most advanced DI control package available.

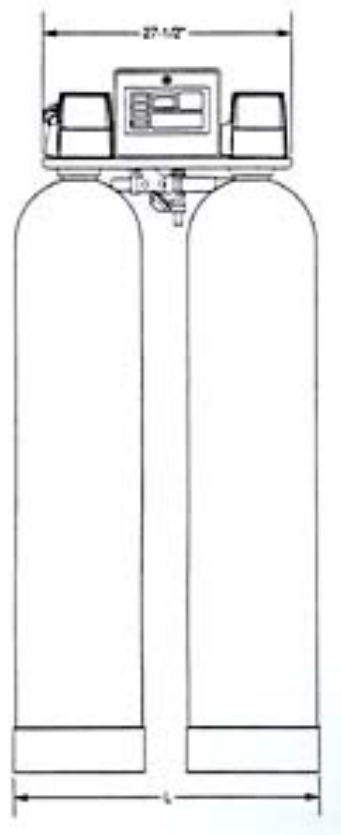


FEATURES

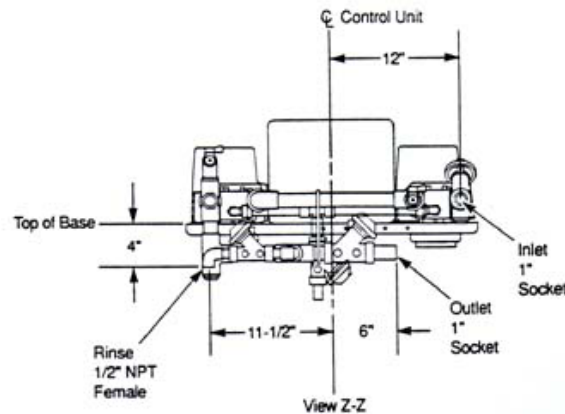
- The digital-type meter displays both water quality and regeneration time remaining to simplify system process planning.
- A single set of printed circuit boards control both simultaneous and sequential regeneration. Simply select the desired regeneration mode with DIP switches.
- Custom programmable. All programming features are easily accessible on the front panel, so there's no need to enter the control box and disrupt operations.
- Indicator lights show at a glance which phase of the regeneration cycle the system is in.
- Direct education of chemicals through the multiport valves eliminates additional chemical draw valves
- Automatic pre-rinse prior to regeneration prevents false regenerations.
- Monitored final rinse rids the system of residual chemicals before the deionizer returns to service.
- Convenient test ports allow sampling of decationized and final DI water for quick, easy checks of system performance.
- Modular construction reduces downtime and simplifies troubleshooting and service.
- Rugged NEMA 12 electrical enclosures, standard on all controls, meet or exceed NEMA showering arc (ICS 2-230), surge withstand (IEEE 587) and electrostatic discharge (MIL-STD-88380).
- Automatic shutoff during power failure.
- NOVRAM backup saves all data during a power failure, then returns the display to the last data point when power is restored. No batteries are required.
- A low level sensor can be easily wired into the control to warn of low chemical volumes.
- Provisions for a remote control panel and auxiliary "START REGENERATION" source allow regeneration to be initiated and controlled from a remote location.
- A product water storage tank can be equipped with a float switch for a level controlled shutoff.
- Relays and fuses on the power printed circuit board provide for the operation of recirculation and supply pumps.
- **Cal Water Support:** Cal Water provides engineering, installation and service for all AutoTrol products. Cal Water has been in the water purification business since **1946**.

For More Information Please Call
1(800)CAL-WATER - (800) 225-9283

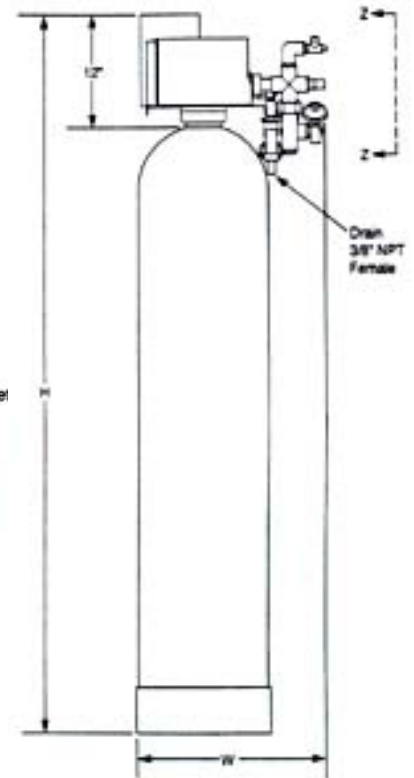
ASSEMBLED SYSTEMS



Front View



7700 Control Head



Side View

FLOW RATES AND CAPACITIES

Model	Tank Size (Inches)	Flow Rates gpm / (Lpm)	▲ P @ Nominal Flow Rates psi (bar)	Exchange Capacity (Grains CaCO ₃)	Resin (Ft ³) Each Tank (Ft ³)	Approximate Overall Dimensions H x L x W Inches / (cm)
7710-09	9 x 48	2 - 3	19 (1.3)	20,000	1	60 x 23 x 27
		(7.6 - 11.4)				(152.4 x 58.4 x 68.6)
7710-13	13 x 54	4 - 7	20 (1.4)	50,000	2.5	66 x 31 x 29
		(15.1 - 26.5)				(167.6 x 78.7 x 73.7)
7710-14	14 x 65	7 - 10	23 (1.6)	70,000	3.5	77 x 33 x 29-1/2
		(26.5 - 37.9)				(195.6 x 83.8 x 74.9)
7750-14	14 x 65	10 - 12	14 (1.0)	70,000	3.5	77 x 24 x 33
		(37.9 - 45.4)				(195.6 x 61.0 x 83.8)

Warranty: All AutoTrol controls are backed by a 1-year warranty, for parts and factory labor only, barring misuse or abuse. Warranties are specifically limited to the repair or replacement of the equipment.

Cal-Water has been selling, installing and servicing water purification equipment since **1946**

Cal Water, 1961 Petra Lane, Placentia, CA 92870

(800) CAL-WATER (800) 225-9283

FAX: (714) 792-0794

<http://www.cal-water.com>

Orange County (714) 835-7878

Los Angeles County (323) 663-8335

San Diego County (858) 457-8411