



WATER

Industrial Water Purification
1(800) CAL-WATER

Automatic Deionizer Systems
AutoTrol 730 Series
2 to 6 GPM

The Cal Water 730

Series Automatic Deionizer is an economical alternative to exchange deionization (DI) when it is not available or feasible. The series 730 control provides dependable semi-automatic performance in light duty applications.

The 730 control's including specially adapted valves, electronics, meters, and fittings all come preassembled for quick, easy installation.

Discontinued
please see: Electrodeionization



Key Features:

- Exchange Capacities from 20 to 40 kilograins
- Automatic regeneration after manual initiation.
- Constant monitoring of final water quality.
- Solid-state reliability for trouble-free service.
- No untreated bypass water.
- Automatic shutoff in event of power failure.
- Check valves on regenerant lines
- Compact, non-corrosive components.
- Small footprint
- Convenient, modular construction.
- Easy, economical installation
- **Cal Water Support:** Cal Water provides engineering, installation and service for all AutoTrol products. Cal Water has been in the water purification business since **1946**.

For More Information Please Call
1(800)CAL-WATER - (800) 225-9283

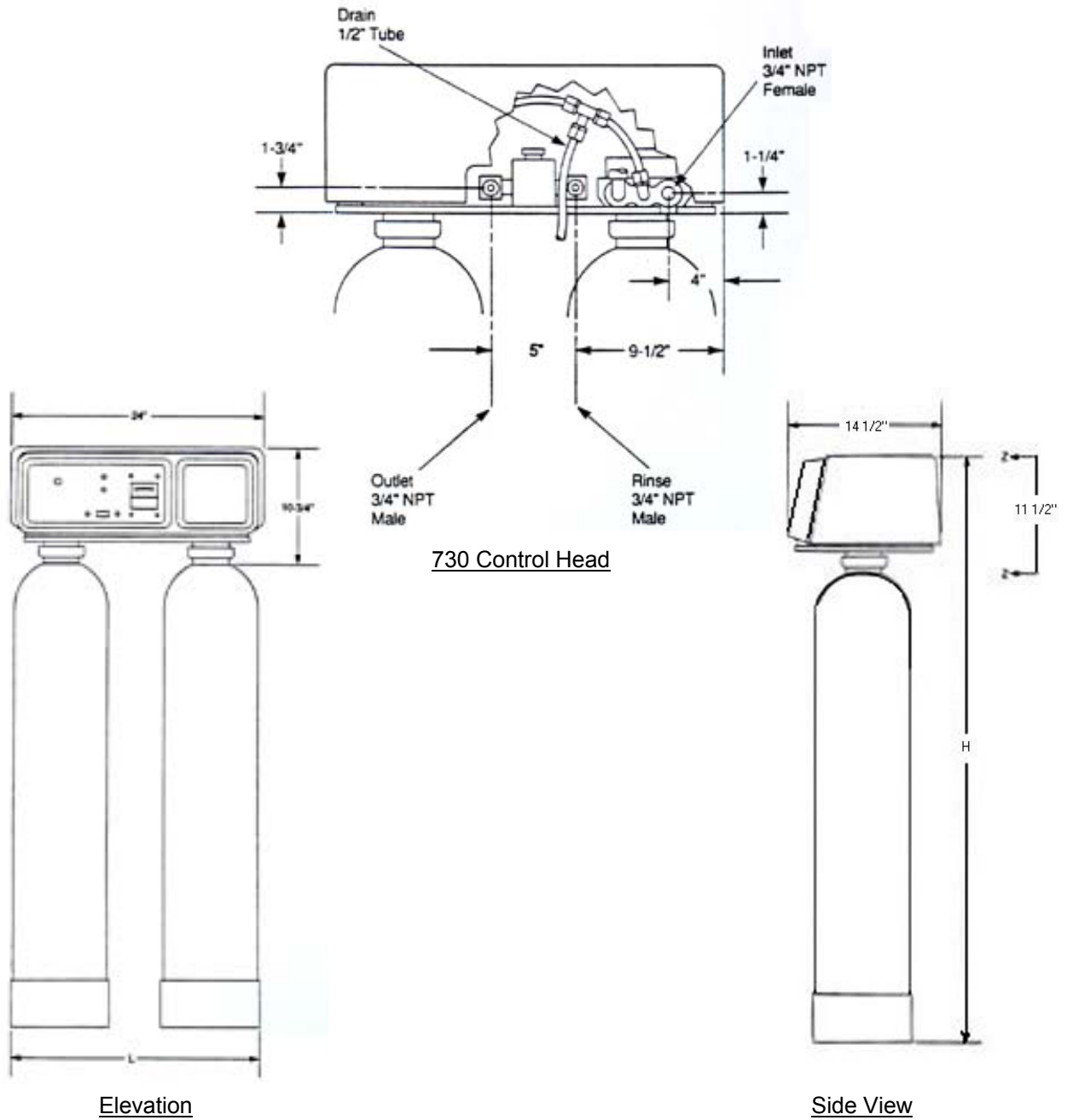
FLOW RATES AND CAPACITIES

Model	Tank Size (Inches)	Flow Rates gpm / (Lpm)	▲ P @ Nominal Flow Rates psi (bar)	Exchange Capacity (Grains CaCO ₃)	Resin (Ft ³) Each Tank (Ft ³)	Approximate Overall Dimensions H x L x W Inches / (cm)
730-09	9 x 48	2 - 3	19 (1.3)	20,000	1	57-3/4 x 22 x 14-1/2
		(7.6 - 11.4)				(147.7 x 55.9 x 36.8)
730-10	10 x 54	3 - 4	20 (1.4)	30,000	1.5	63-3/4 x 23 x 14-1/2
		(11.4 - 15.1)				(161.9 x 58.4 x 36.8)
730-12	12 x 48	4 - 6	21 (1.4)	40,000	2	57-3/4 x 25 x 14-1/2
		(15.1 - 22.7)				(147.7 x 63.5 x 36.8)

Warranty: All AutoTrol controls are backed by a 1-year warranty, for parts and factory labor only, barring misuse or abuse. Warranties are specifically limited to the repair or replacement of the equipment. Please see Terms and Conditions of Sale for details.

Cal-Water has been selling, installing and servicing water purification equipment since **1946**

ASSEMBLED SYSTEMS



Cal Water, 1961 Petra Lane, Placentia, CA 92870
(800) CAL-WATER (800) 225-9283
 FAX: (714) 792-0794
<http://www.cal-water.com>

Orange County (714) 835-7878
 Los Angeles County (323) 663-8335
 San Diego County (858) 457-8411